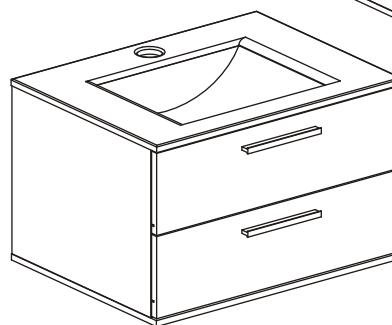
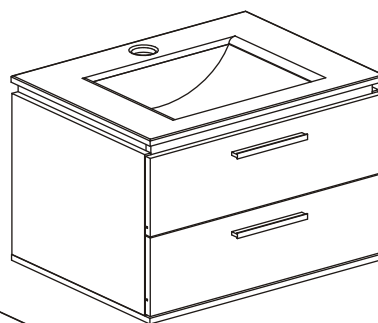
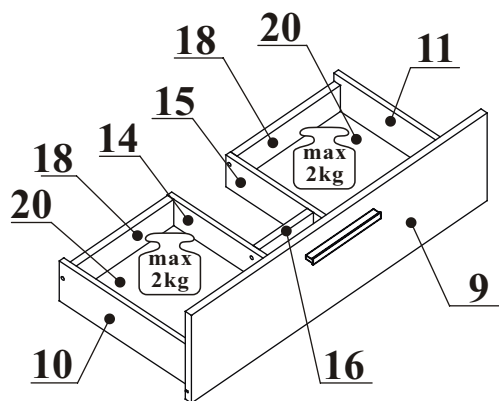
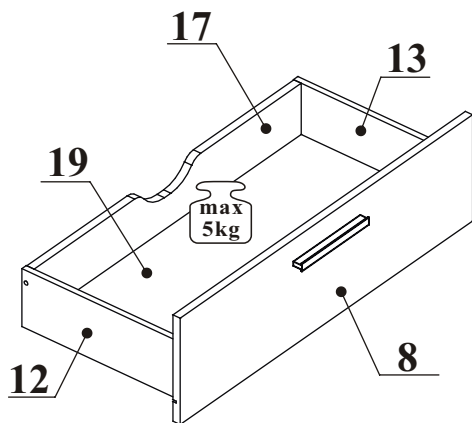
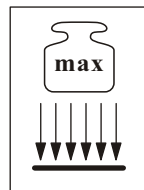
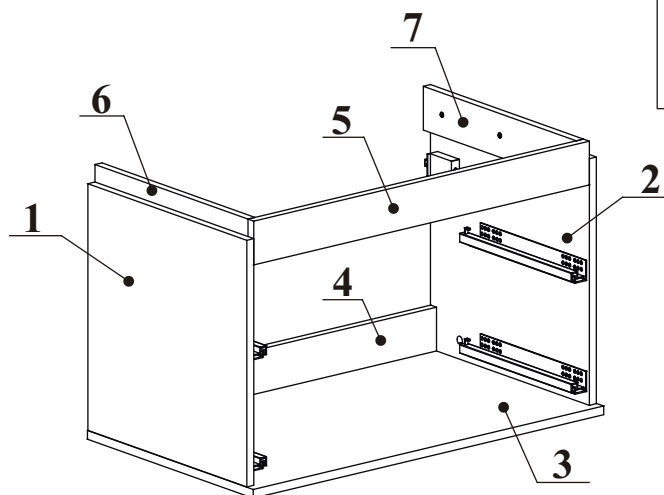
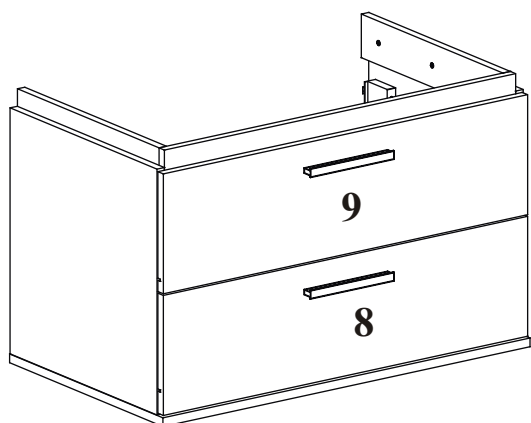
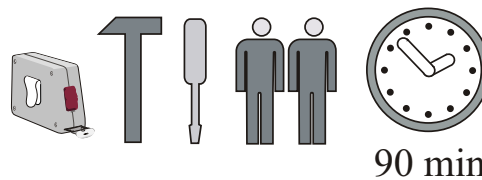


# REMIK P/UM80-2S - 821

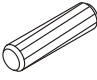
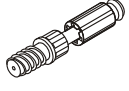



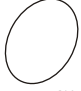
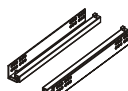
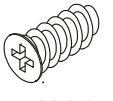

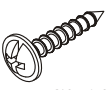




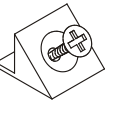


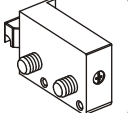
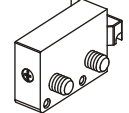


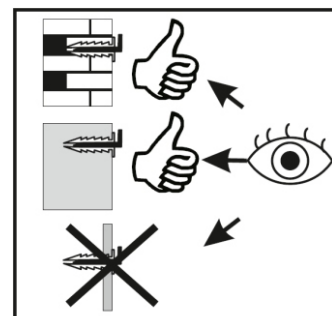
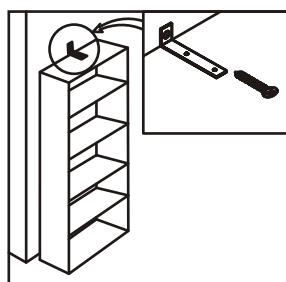
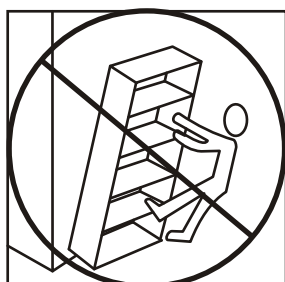
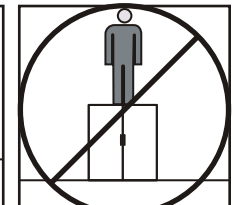
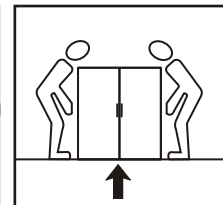
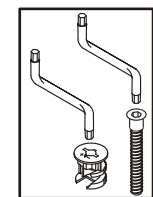
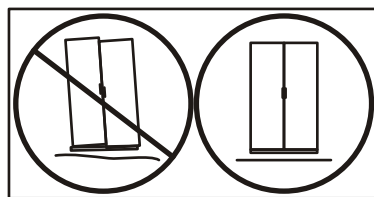
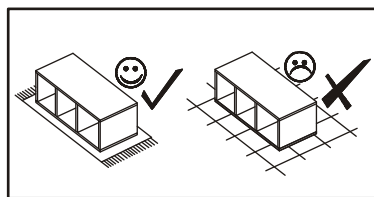
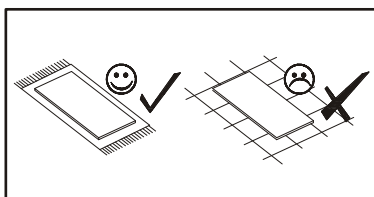
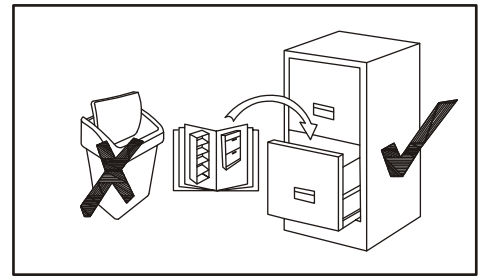
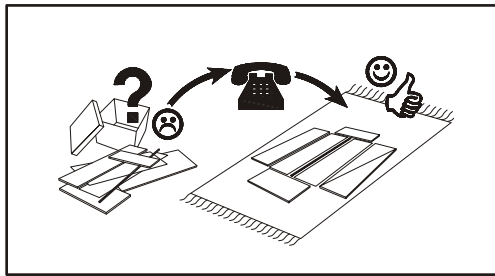
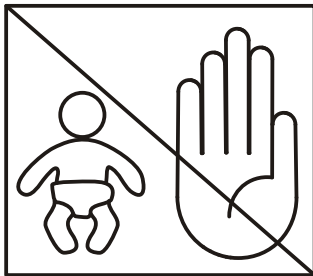
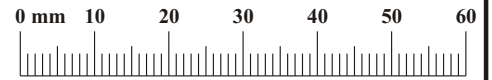
NO	Dim.		Col.-No	Qty
1	451	439	1	1
2	451	439	1	1
3	792	458	1	1
4	758	80	1	1
5	758	80	1	1
6	423	80	1	1
7	423	80	1	1
8	786	220	1	1
9	786	220	1	1
10	350	120	1	1
11	350	120	1	1
12	350	100	1	1
13	350	100	1	1
14	350	80	1	1
15	350	80	1	1
16	144	66	1	1
17	718	106	1	1
18	275	66	1	2
19	728	354	1	1
20	285	354	1	2



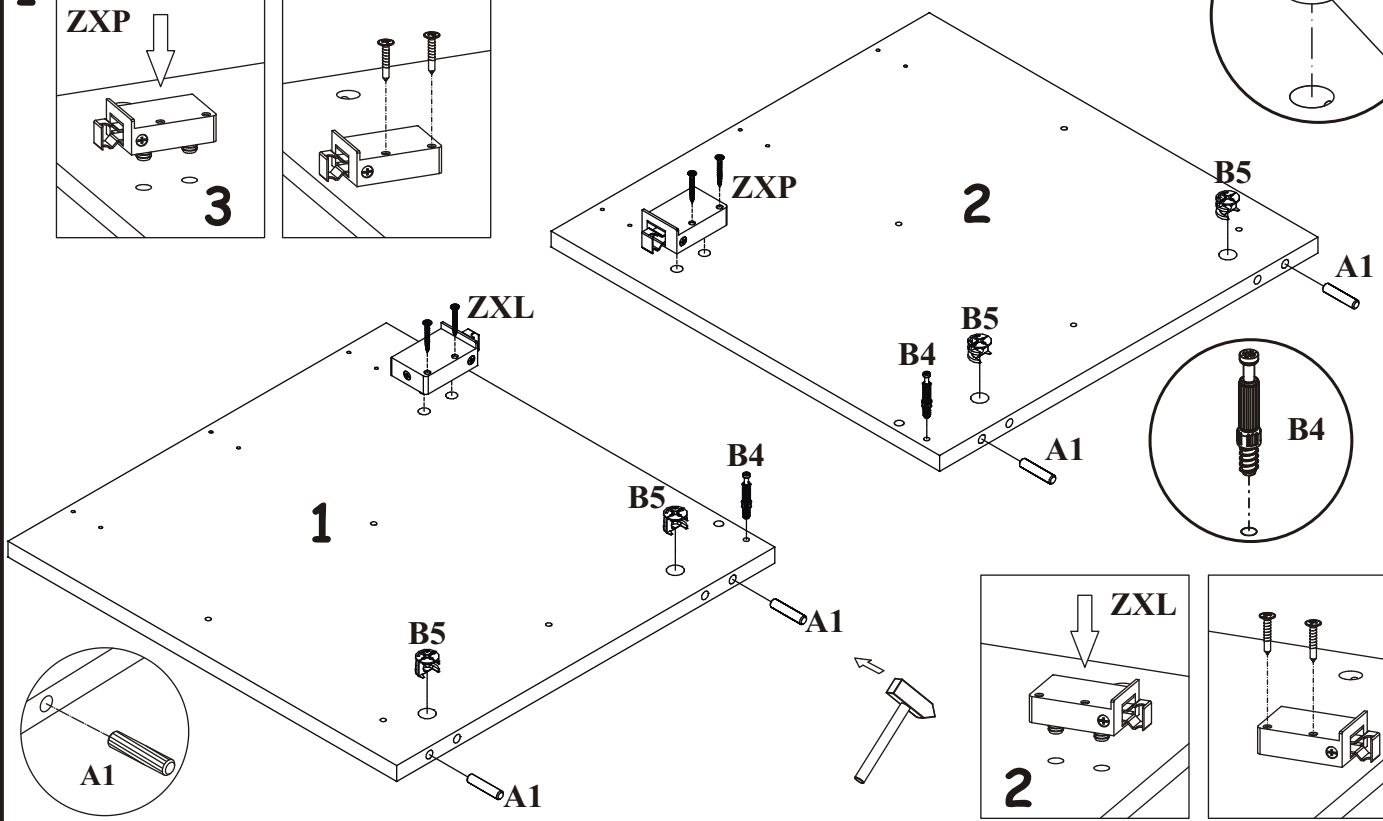
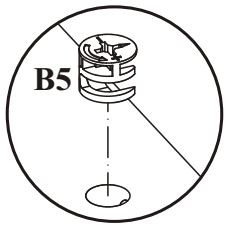
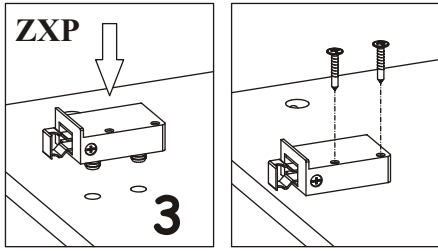
90 min

REMIK P/UM80-2S - 821

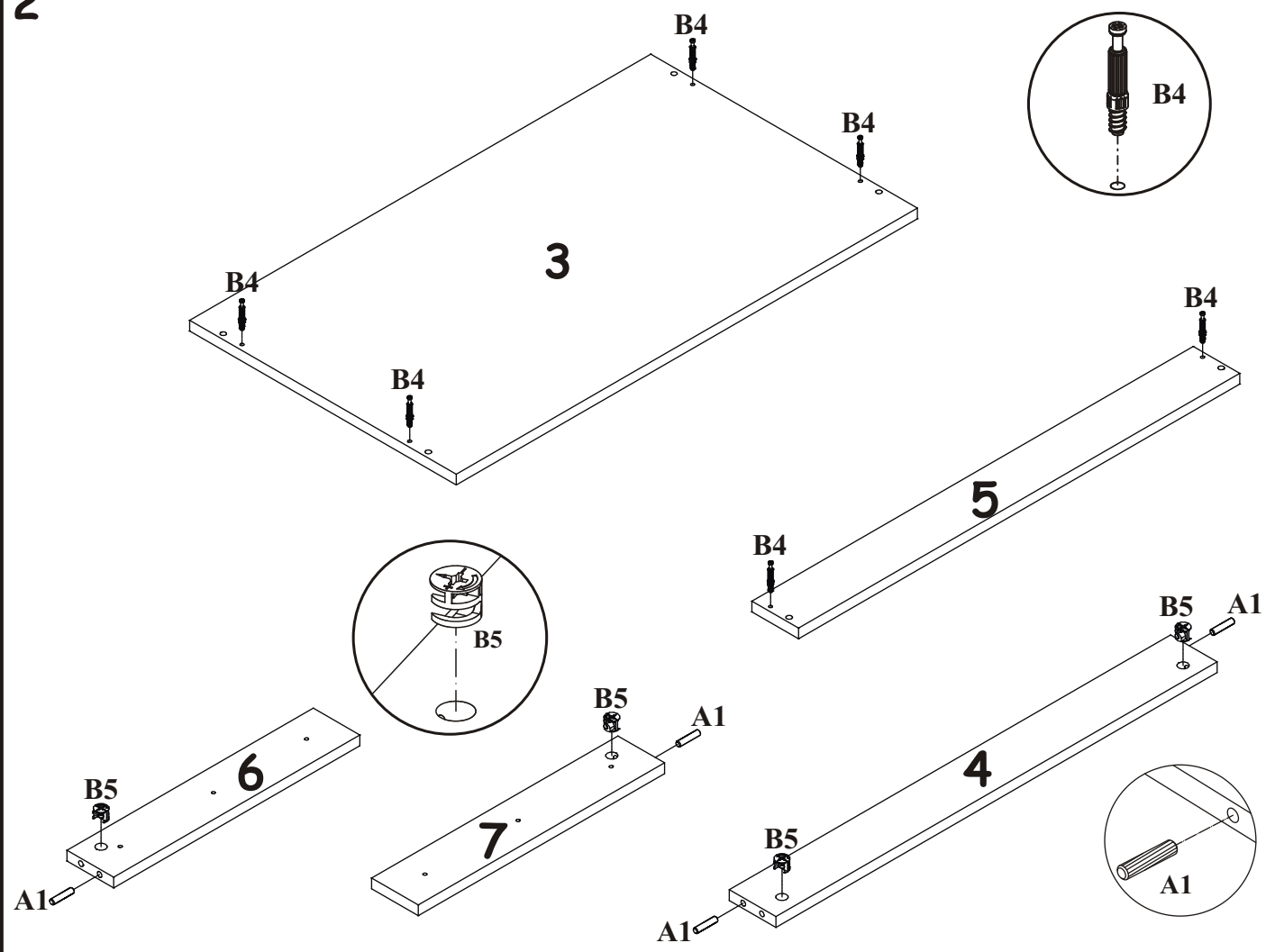
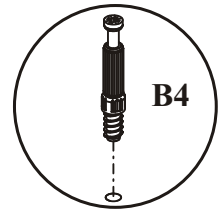
A1 x22  ø8x36	B4 x14 	B5 x8  ø15x12	G5 x8 	B7 x6  Ø15x10,3	G7 x6  Ø20
QU x2  L-350mm	D20 x8  ESØ6x9,5	D10 x8  USØ3,5x13	UP13 x11  UPØ3x16	B11 x10  Ø7x50	G4 x10 
BG1 x2  L-160mm	UP6 x10  UPØ4x30	S1 x4 	SZ7 x2 	G2 x1 	
ZXL x1 	ZXP x1 				



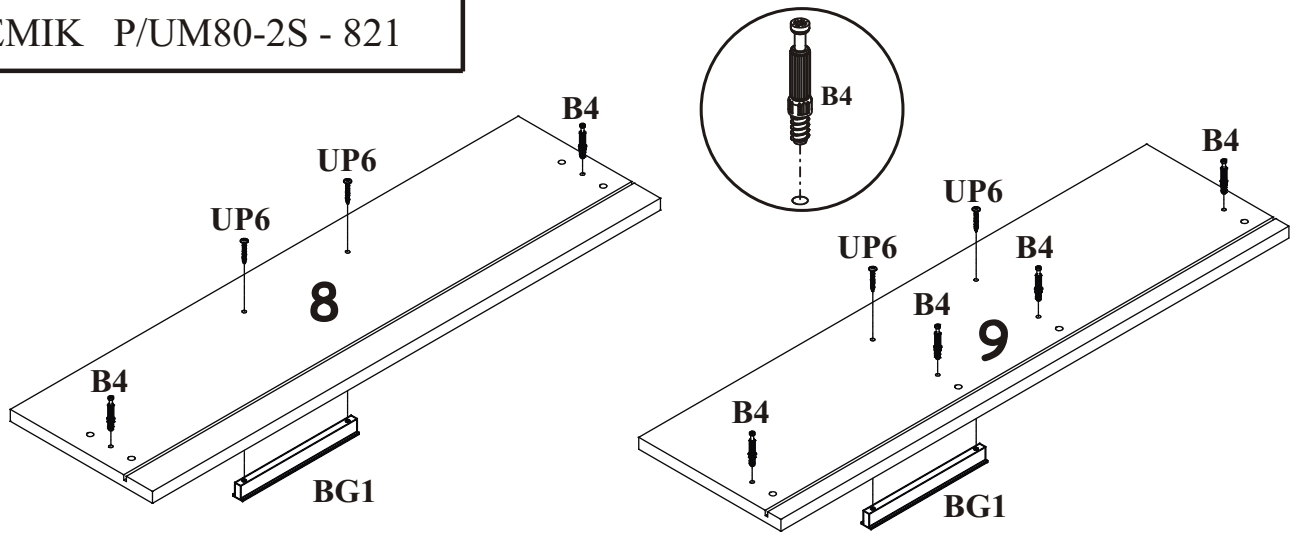
1



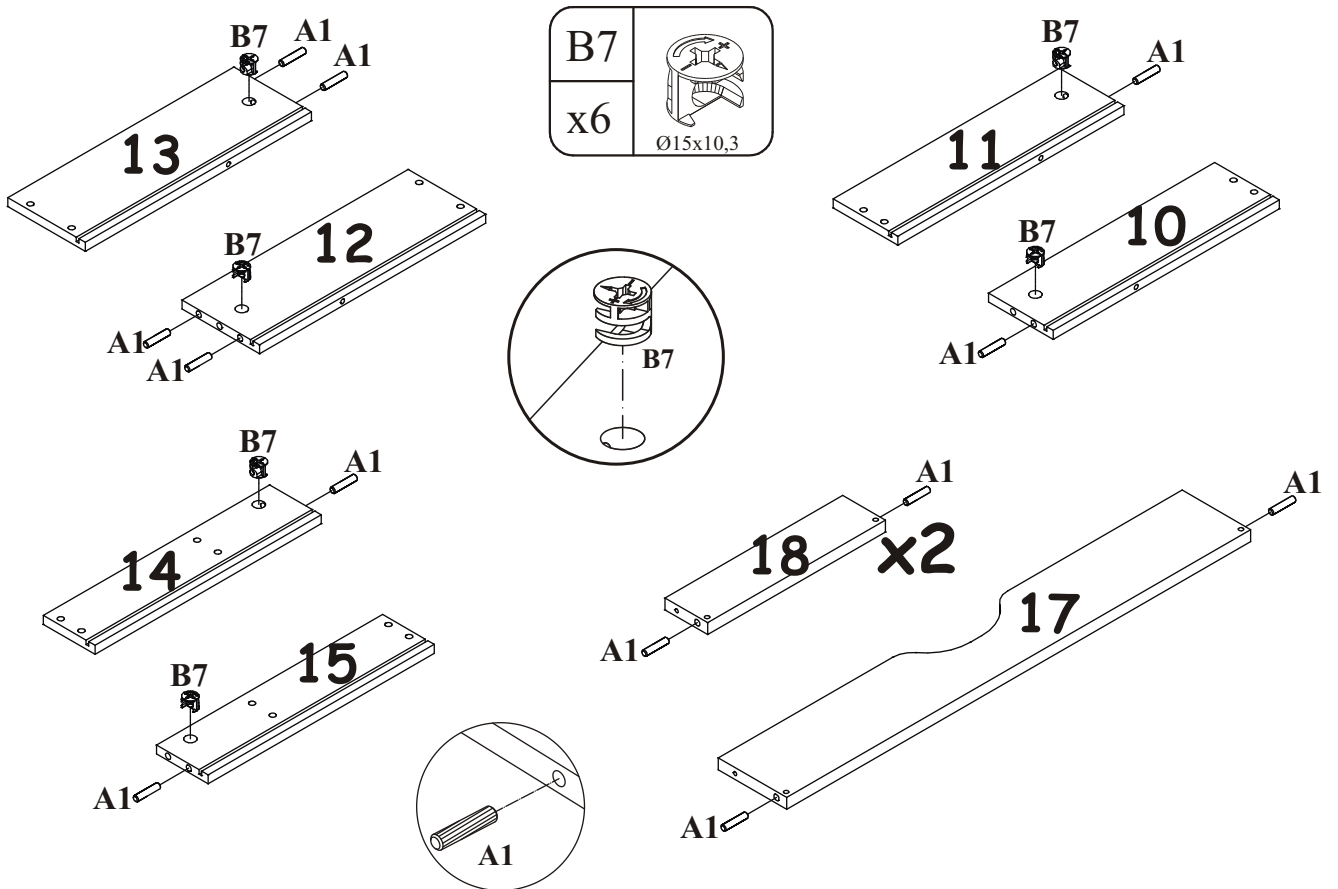
2



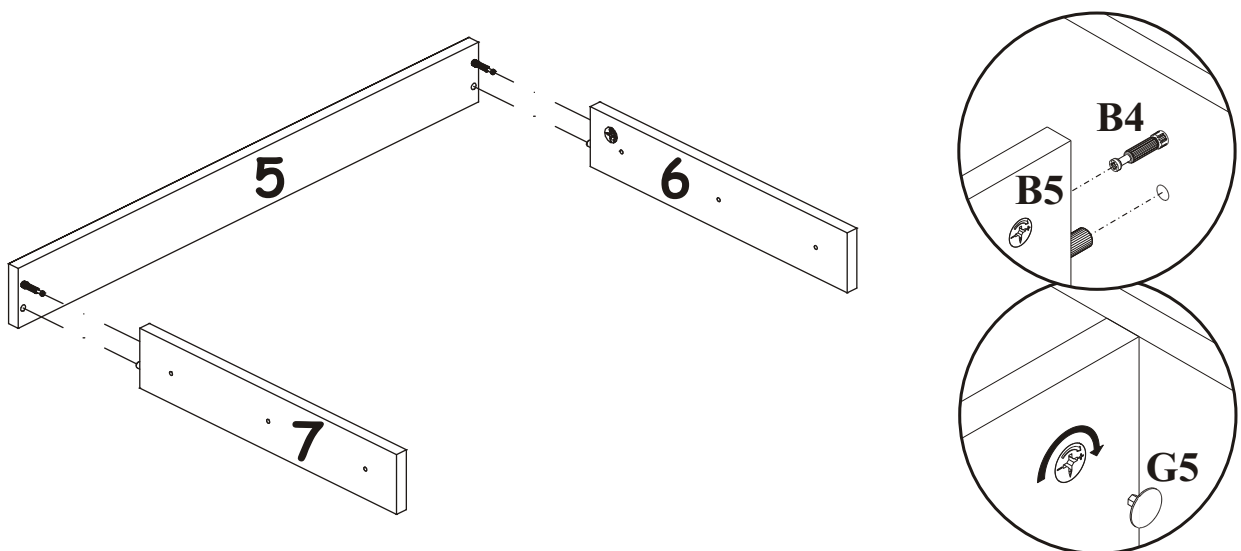
3



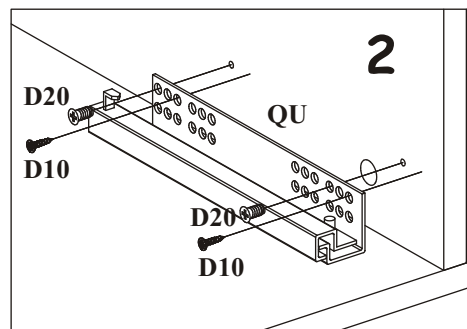
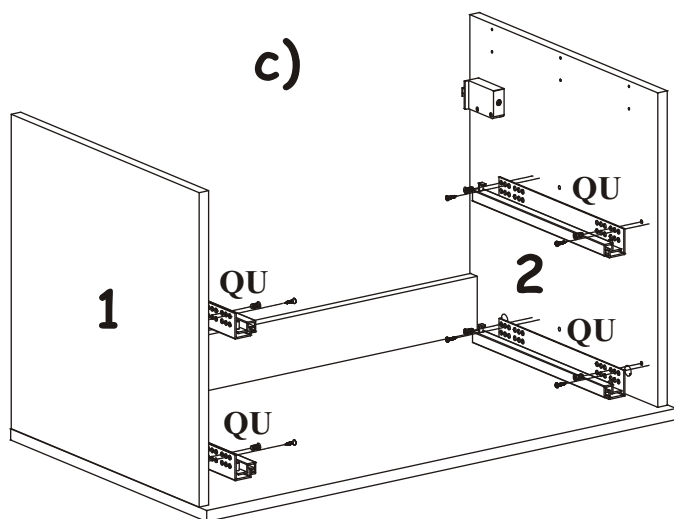
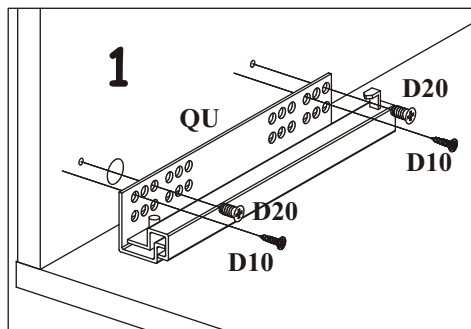
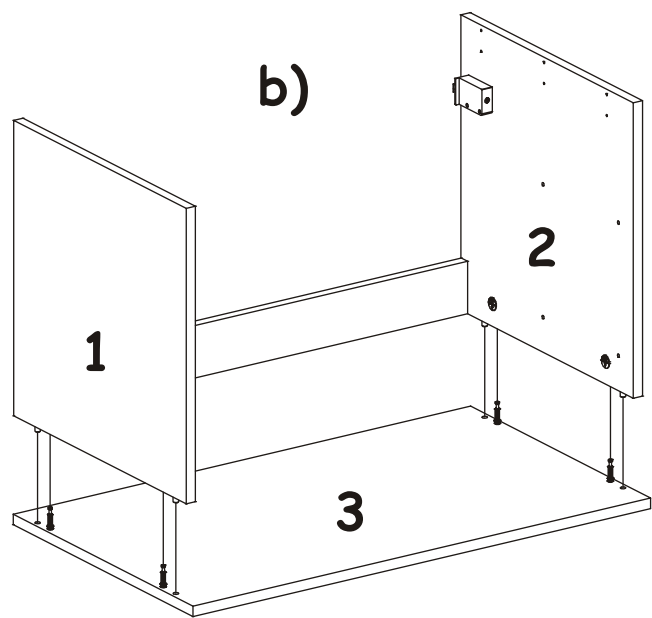
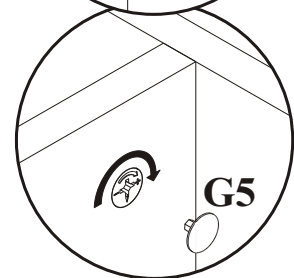
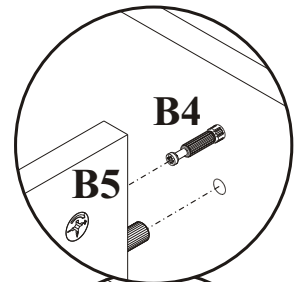
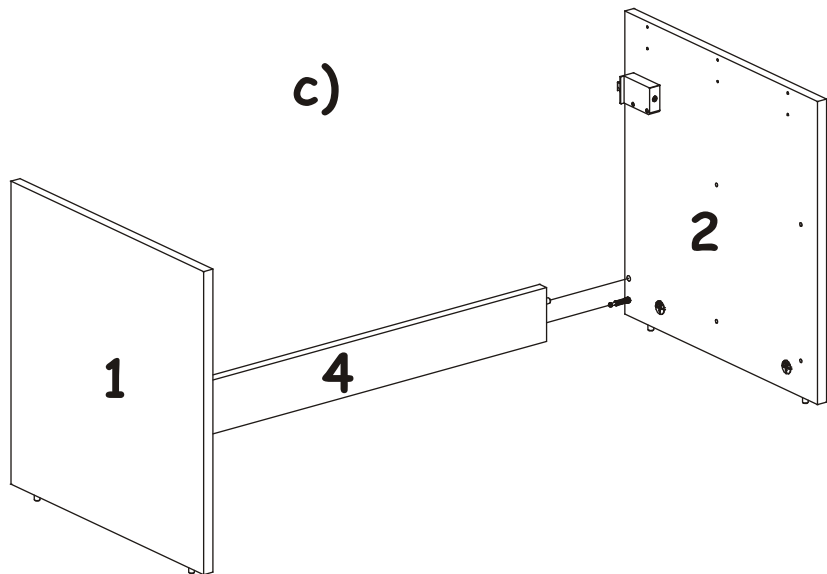
4



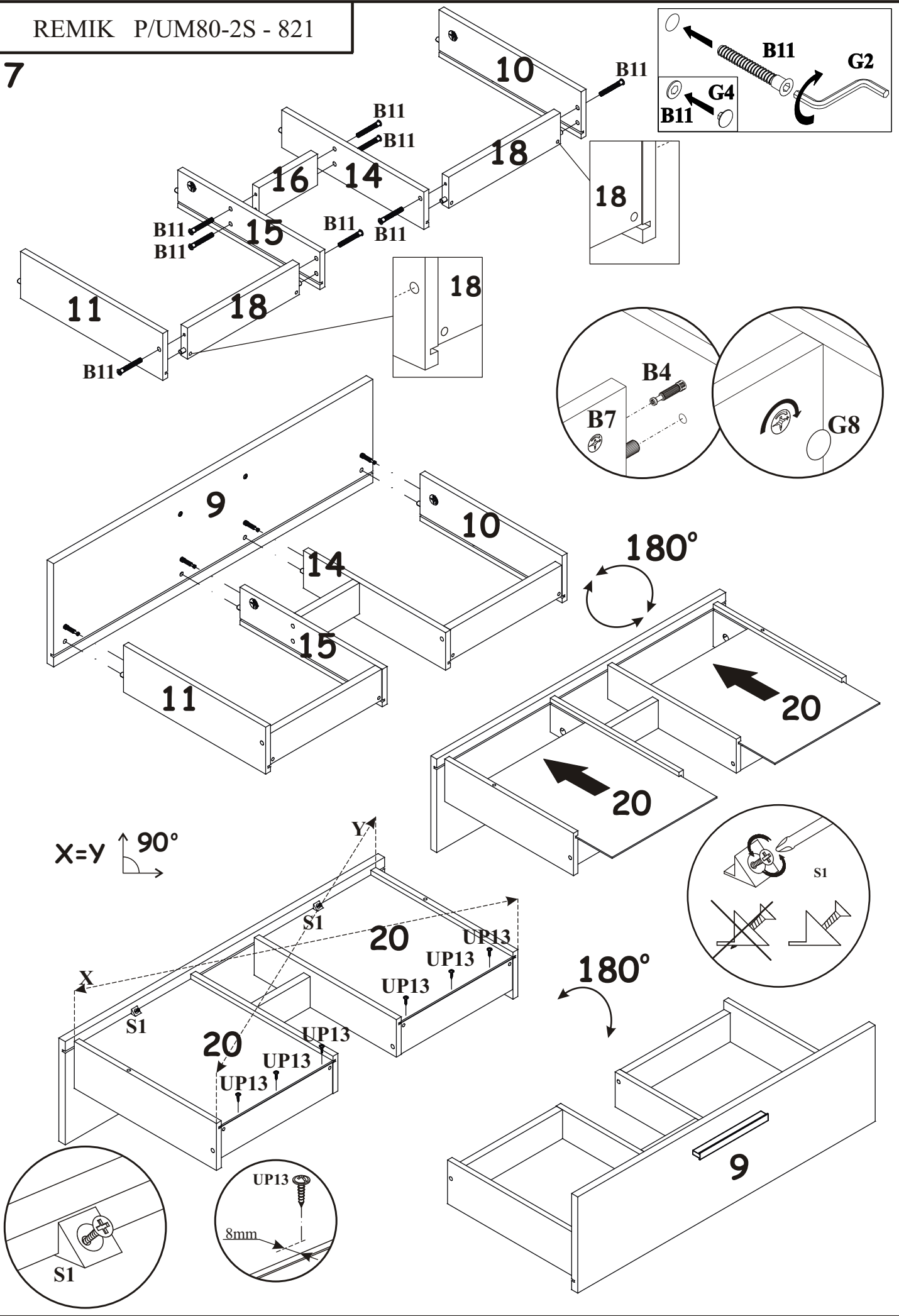
5



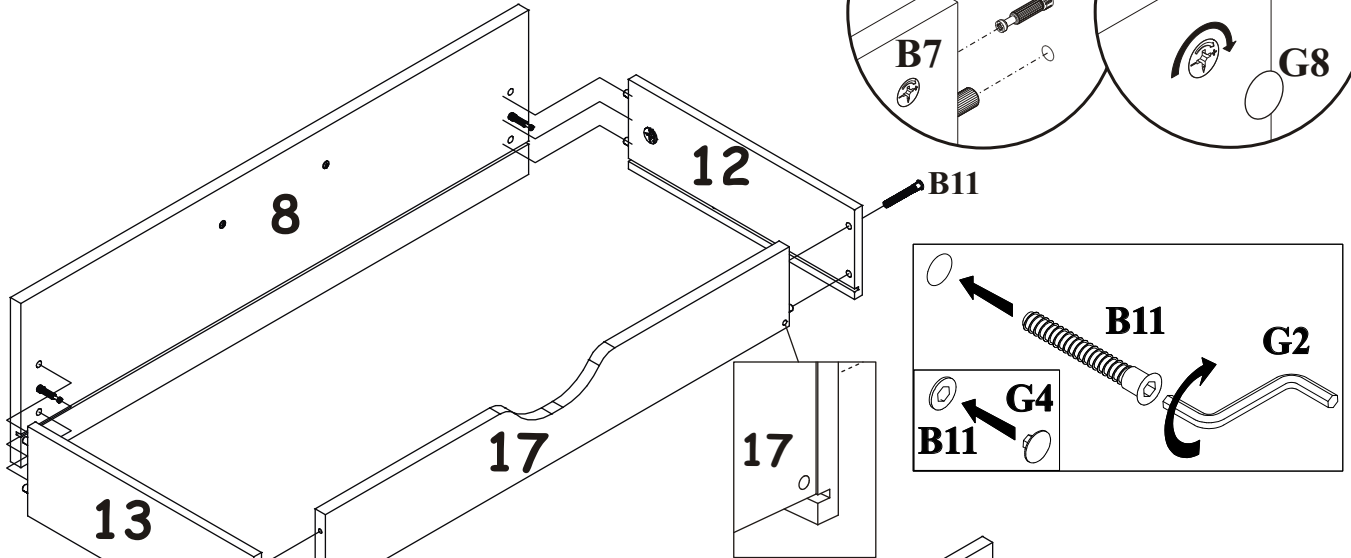
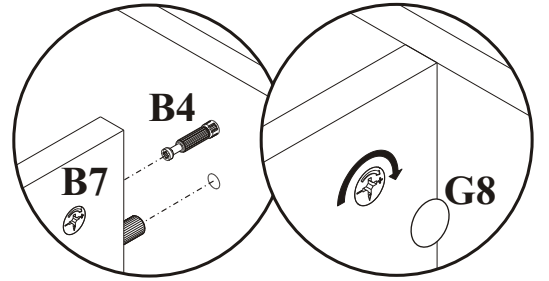
6



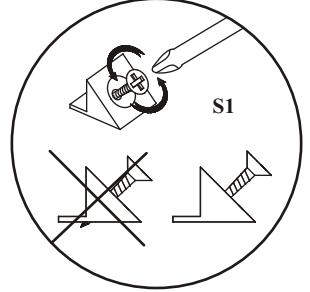
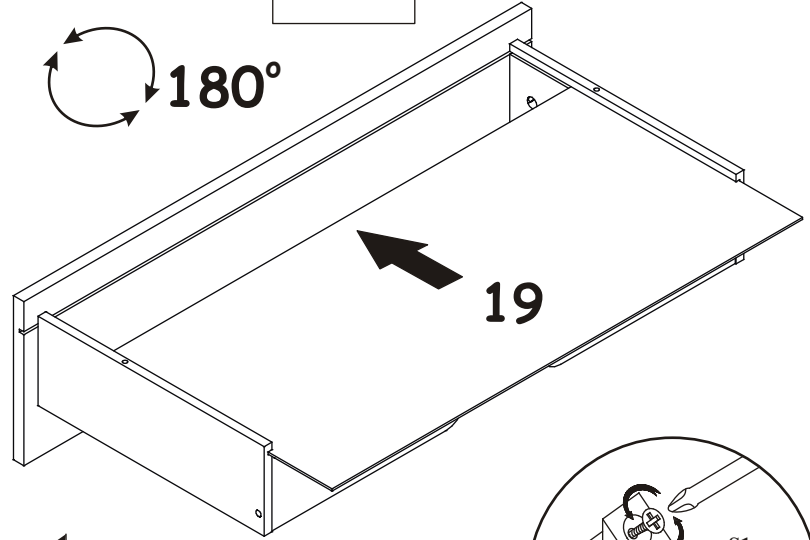
7



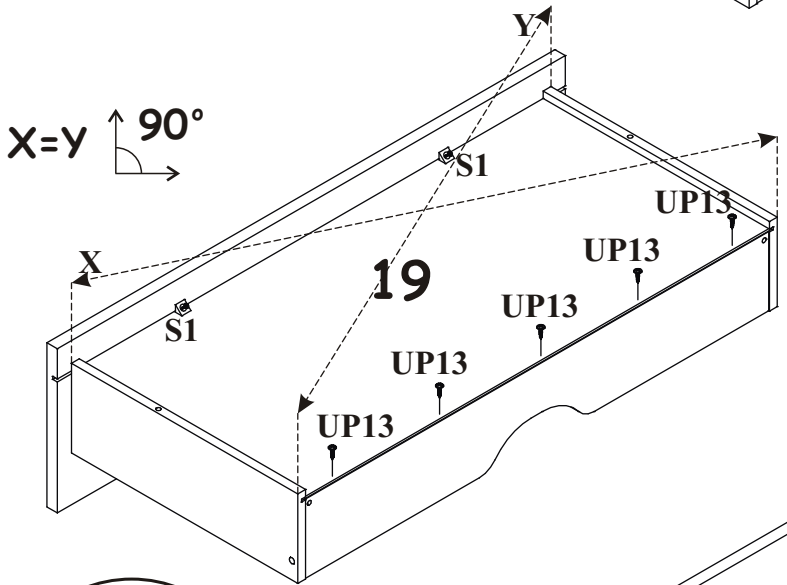
8



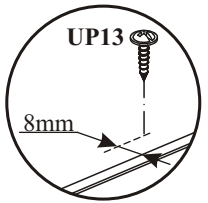
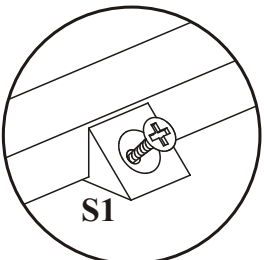
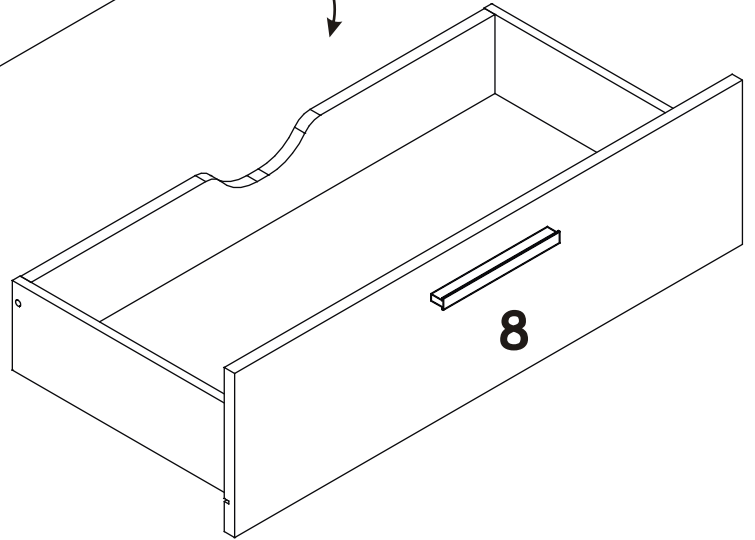
180°



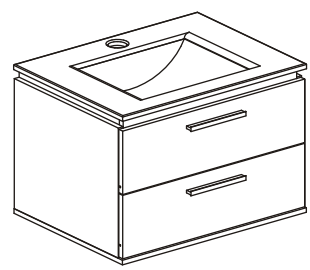
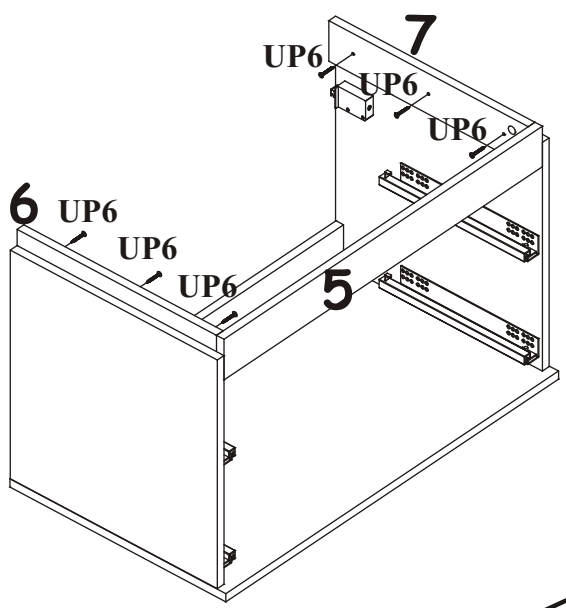
X=Y 90°



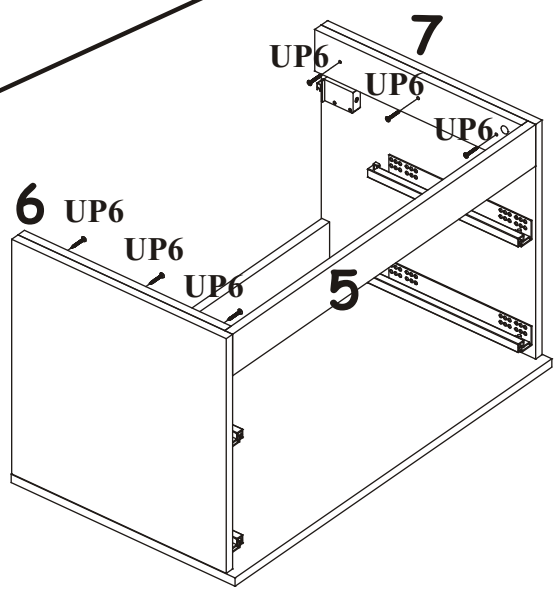
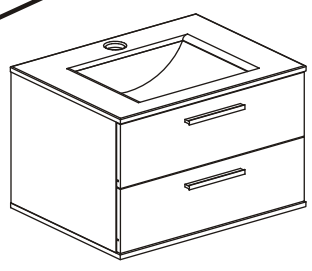
180°



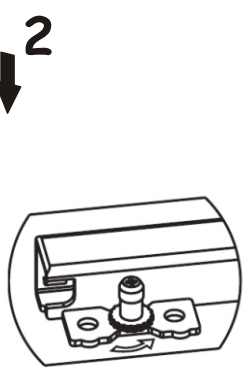
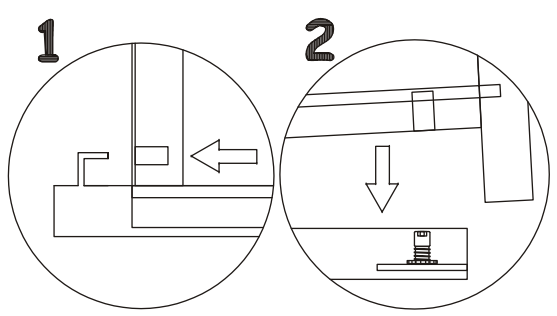
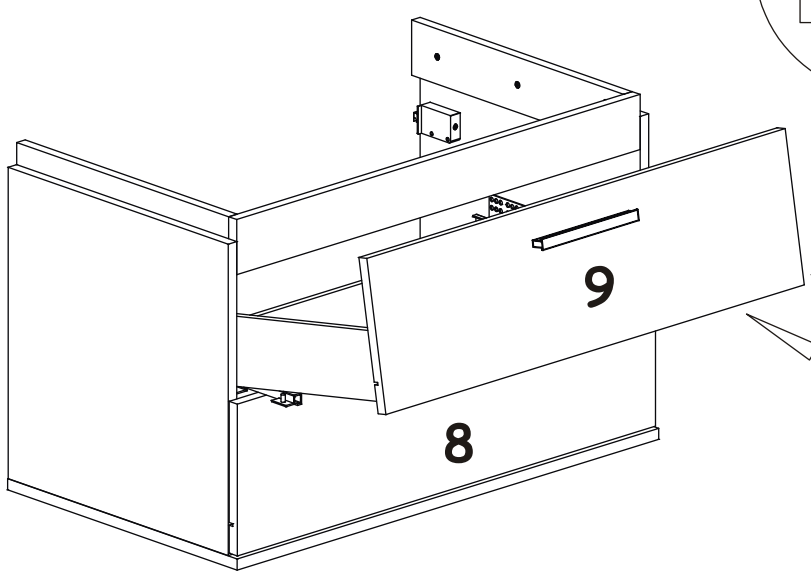
9



9



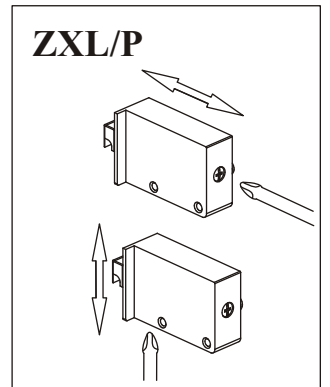
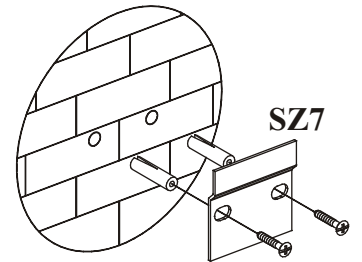
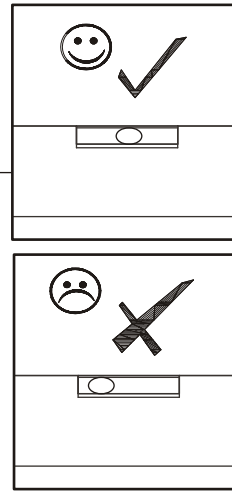
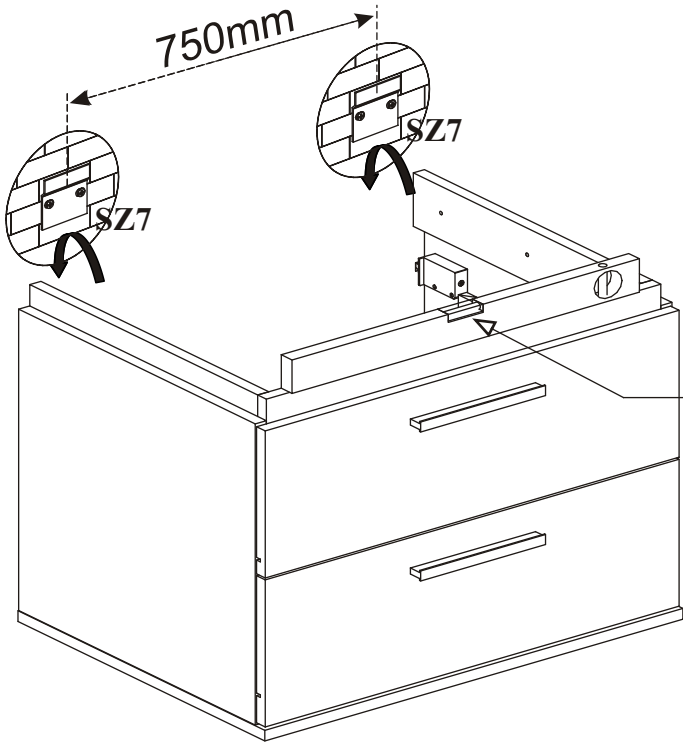
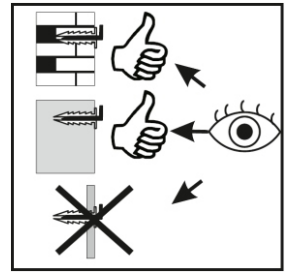
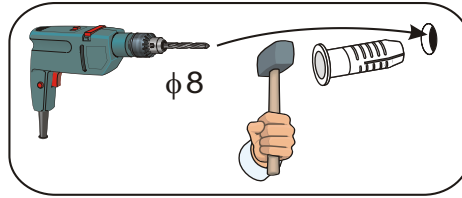
10



↑ +4 mm



11



12

SILIKON

